

5501 TSV-TFC ASSEMBLED BODY

23-4263 THERMOSTATIC KNOB CAP

20-5767 THERMO KNOB LOCKNUT, M17.3

60-6675 TEMPERATURE CONTROL KNOB

23-5672-B SPACER CLAMP RING (THERMO SIDE)

42-5048 ADJUSTING PISTON SEAL\*

5138 H15 FLUSHING KIT

71-5888 TSV1-3 COVER ASSEMBLY  
- INCLUDES THERMO KNOB LOCKNUT

42-2834 COVER SEAL\*

4411 SEAL REMOVAL TOOLKIT

4579 H1503 ELEMENT SUB-ASSEMBLY\*\*

71-4190 H15 SLIDEVALVE ASSEMBLY

44-5970 TIMED FLOW CONTROL

40-4662 TSV1 RETURN SPRING

42-3849 SLIDE VALVE SEAL\*

20-4661 TSV1 BAFFLE TUBE

60-6222 TFC BEZEL (60mm)

21-6424 STRAINER CAP H15 (E-TYPE)

42-3765 STRAINER CAP SEAL\*

43-5019 H15 / TSV1 'D' STRAINER BASKET

42-3451 COUPLING SEAL\*

41-5403 BEZEL RETAINING SCREW

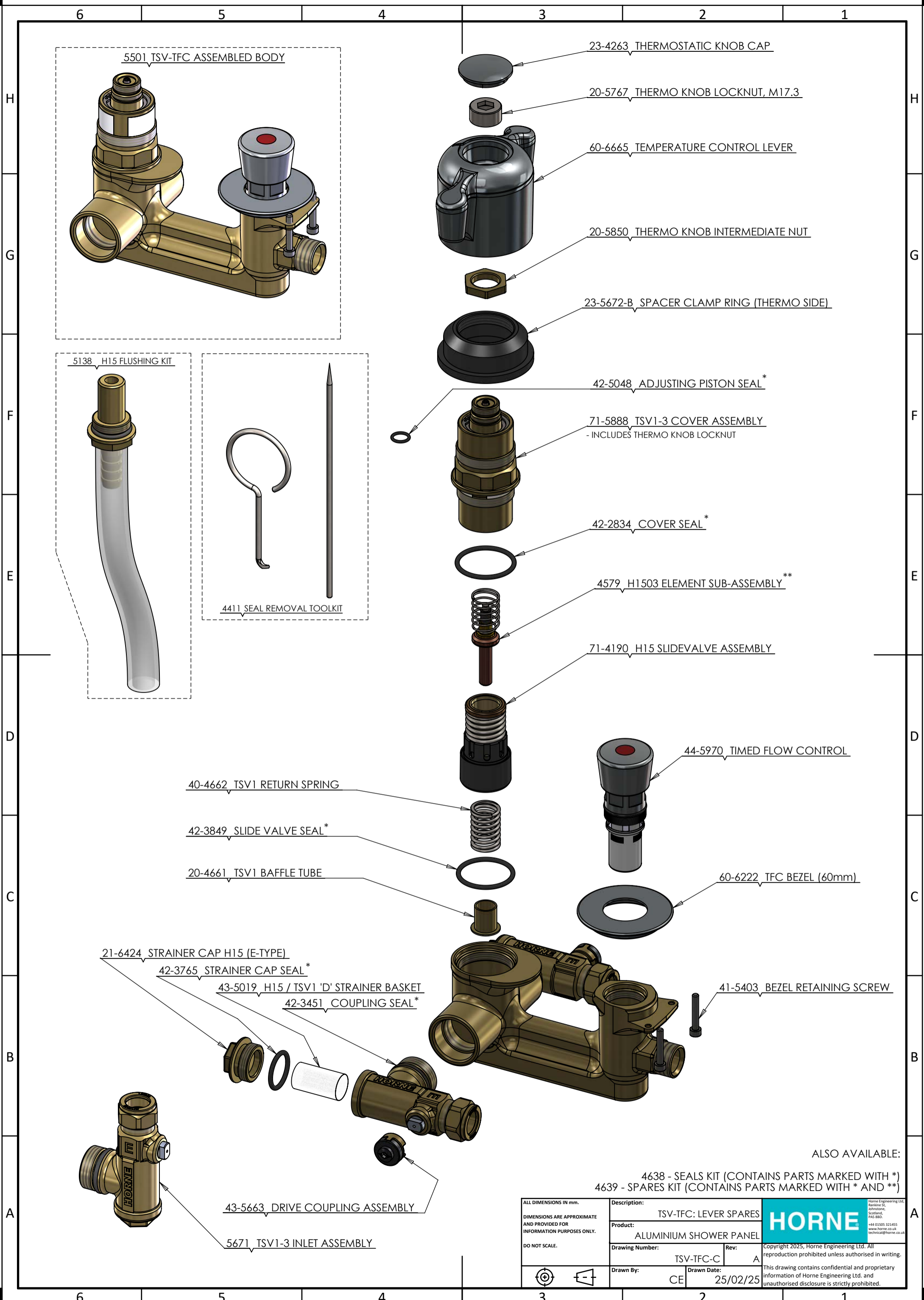
43-5663 DRIVE COUPLING ASSEMBLY

5671 TSV1-3 INLET ASSEMBLY

ALSO AVAILABLE:

4638 - SEALS KIT (CONTAINS PARTS MARKED WITH \*)  
4639 - SPARES KIT (CONTAINS PARTS MARKED WITH \* AND \*\*)

ALL DIMENSIONS IN mm. DIMENSIONS ARE APPROXIMATE AND PROVIDED FOR INFORMATION PURPOSES ONLY. DO NOT SCALE.	Description:		
	Product:		
	Drawing Number:	Rev:	
	Drawn By:	Drawn Date:	
	CE	B	Copyright 2025, Horne Engineering Ltd. All reproduction prohibited unless authorised in writing. This drawing contains confidential and proprietary information of Horne Engineering Ltd. and unauthorised disclosure is strictly prohibited.



5501 TSV-TFC ASSEMBLED BODY

23-4263 THERMOSTATIC KNOB CAP

20-5767 THERMO KNOB LOCKNUT, M17.3

60-6665 TEMPERATURE CONTROL LEVER

20-5850 THERMO KNOB INTERMEDIATE NUT

23-5672-B SPACER CLAMP RING (THERMO SIDE)

42-5048 ADJUSTING PISTON SEAL\*

71-5888 TSV1-3 COVER ASSEMBLY  
- INCLUDES THERMO KNOB LOCKNUT

42-2834 COVER SEAL\*

4579 H1503 ELEMENT SUB-ASSEMBLY\*\*

71-4190 H15 SLIDEVALVE ASSEMBLY

44-5970 TIMED FLOW CONTROL

60-6222 TFC BEZEL (60mm)

40-4662 TSV1 RETURN SPRING

42-3849 SLIDE VALVE SEAL\*

20-4661 TSV1 BAFFLE TUBE

21-6424 STRAINER CAP H15 (E-TYPE)

42-3765 STRAINER CAP SEAL\*

43-5019 H15 / TSV1 'D' STRAINER BASKET

42-3451 COUPLING SEAL\*

41-5403 BEZEL RETAINING SCREW

43-5663 DRIVE COUPLING ASSEMBLY

5671 TSV1-3 INLET ASSEMBLY

ALSO AVAILABLE:

4638 - SEALS KIT (CONTAINS PARTS MARKED WITH \*)  
4639 - SPARES KIT (CONTAINS PARTS MARKED WITH \* AND \*\*)

ALL DIMENSIONS IN mm. DIMENSIONS ARE APPROXIMATE AND PROVIDED FOR INFORMATION PURPOSES ONLY. DO NOT SCALE.	Description: TSV-TFC: LEVER SPARES		
	Product: ALUMINIUM SHOWER PANEL		
	Drawing Number: TSV-TFC-C Drawn By: CE	Rev: A Drawn Date: 25/02/25	
	Copyright 2025, Horne Engineering Ltd. All reproduction prohibited unless authorised in writing. This drawing contains confidential and proprietary information of Horne Engineering Ltd. and unauthorised disclosure is strictly prohibited.		

6

5

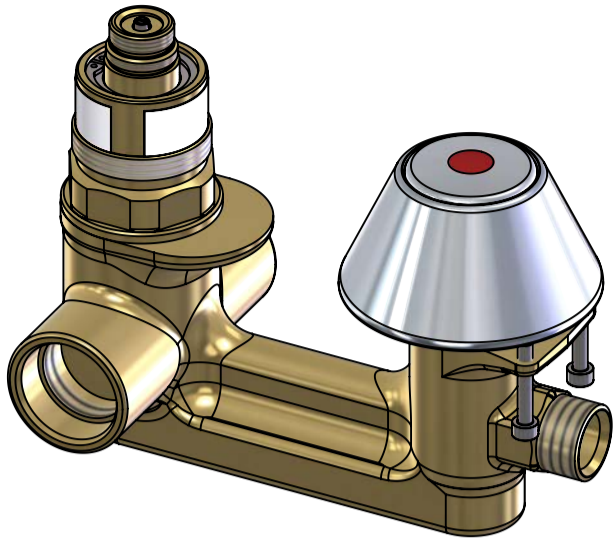
4

3

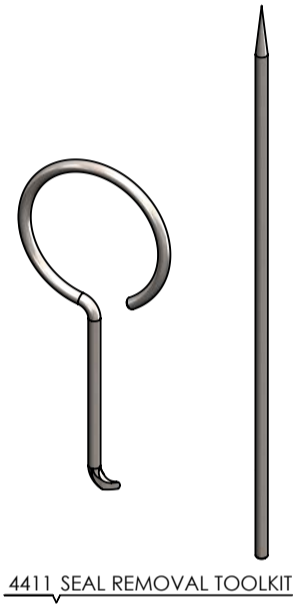
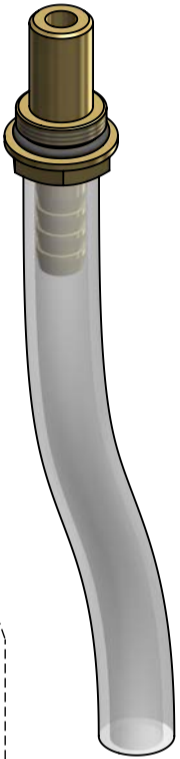
2

1

5919 TSV-TFC ASSEMBLED BODY LR



5138 H15 FLUSHING KIT

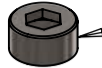


4411 SEAL REMOVAL TOOLKIT

23-4263 THERMOSTATIC KNOB CAP



20-5767 THERMO KNOB LOCKNUT, M17.3



60-5923 LR THERMO CONTROL KNOB



23-6626 PTFE GUARD RING



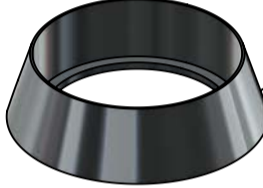
40-6627 GUARD RING LOADING SPRING



23-5672-F SPACER CLAMP RING (THERMO SIDE)



60-5921 TSV1 KNOB LR SHROUD - WITH FLAT



42-5048 ADJUSTING PISTON SEAL



71-5888 TSV1-3 COVER ASSEMBLY - INCLUDES THERMO KNOB LOCKNUT



42-2834 COVER SEAL\*



4579 H1503 ELEMENT SUB-ASSEMBLY\*\*



71-4190 H15 SLIDEVALVE ASSEMBLY



44-5970 TIMED FLOW CONTROL



40-4662 TSV1 RETURN SPRING



42-3849 SLIDE VALVE SEAL\*



20-4661 TSV1 BAFFLE TUBE



60-6223 TFC LR BEZEL

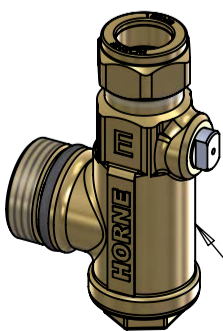


21-6424 STRAINER CAP H15 (E-TYPE)

42-3765 STRAINER CAP SEAL\*

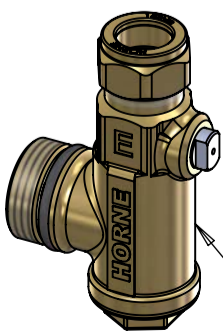
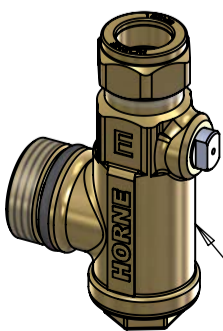
43-5019 H15 / TSV1 'D' STRAINER BASKET

42-3451 COUPLING SEAL\*



43-5663 DRIVE COUPLING ASSEMBLY

5671 TSV1-3 INLET ASSEMBLY




41-5403 BEZEL RETAINING SCREW



ALSO AVAILABLE:

4638 - SEALS KIT (CONTAINS PARTS MARKED WITH \*)  
4639 - SPARES KIT (CONTAINS PARTS MARKED WITH \* AND \*\*)

ALL DIMENSIONS IN mm. DIMENSIONS ARE APPROXIMATE AND PROVIDED FOR INFORMATION PURPOSES ONLY. DO NOT SCALE.	Description: TSV-TFC: LR SPARES		 <p>Copyright 2025, Horne Engineering Ltd. All reproduction prohibited unless authorised in writing. This drawing contains confidential and proprietary information of Horne Engineering Ltd. and unauthorised disclosure is strictly prohibited.</p>
	Product: ALUMINIUM SHOWER PANEL		
	Drawing Number: TSV-TFC-C	Rev: A	
	Drawn By: CE	Drawn Date: 25/02/25	

6

5

4

3

2

1