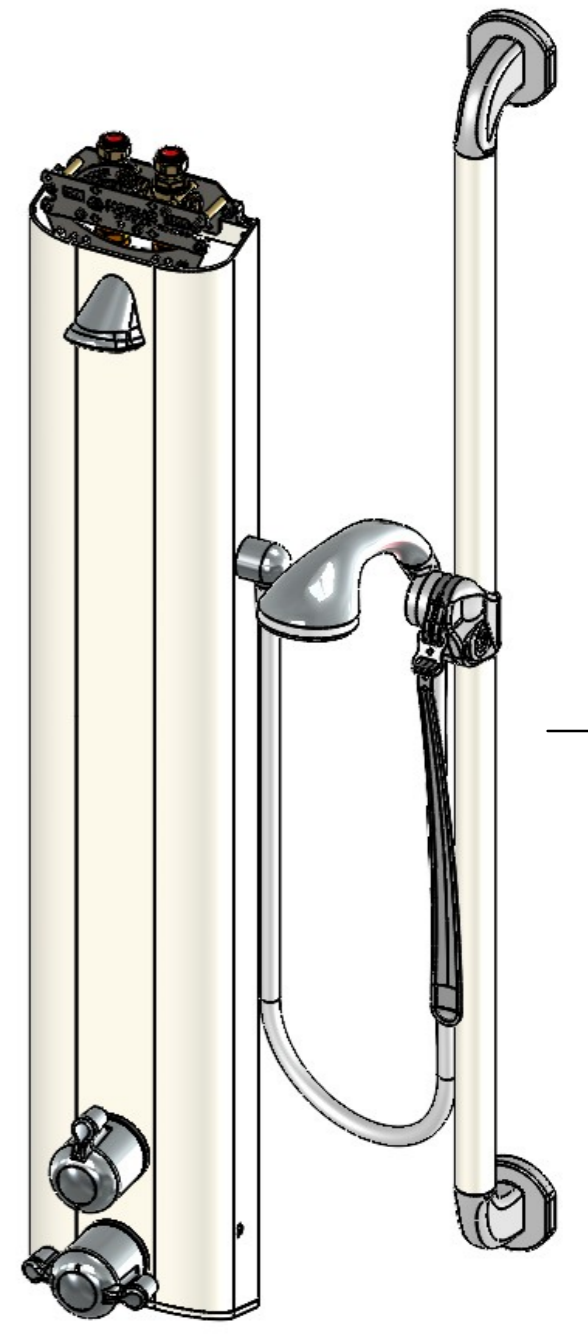
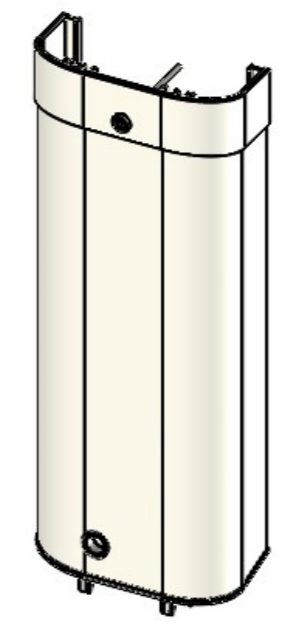
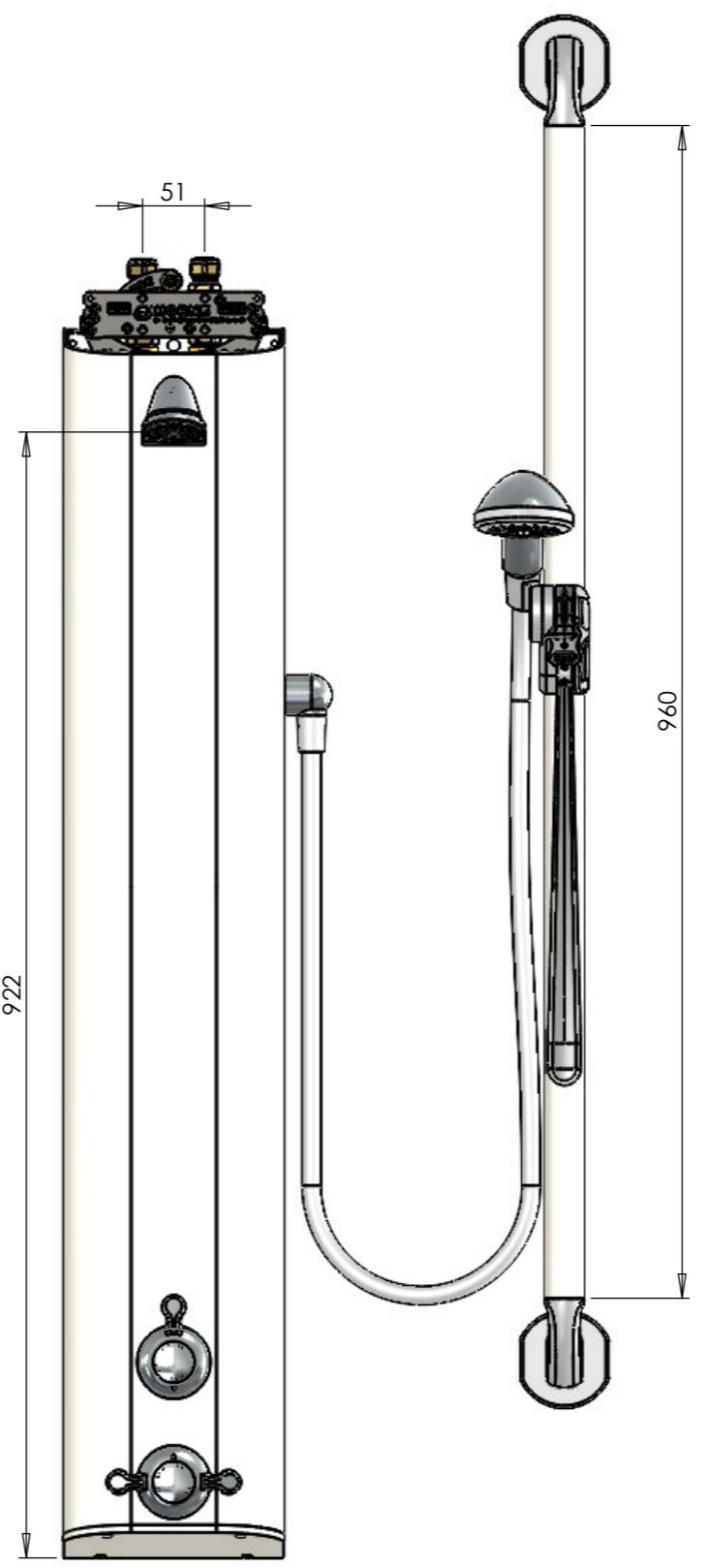
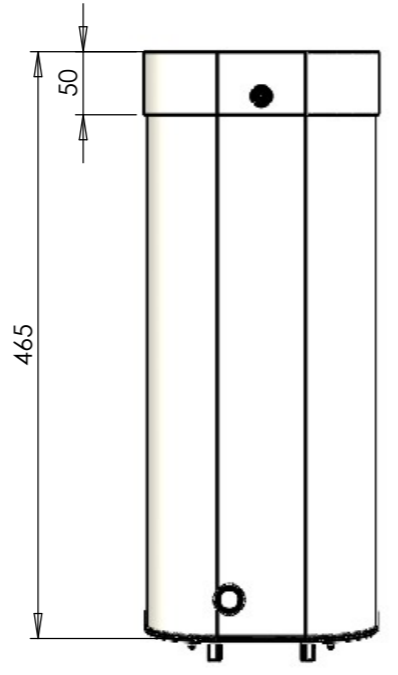
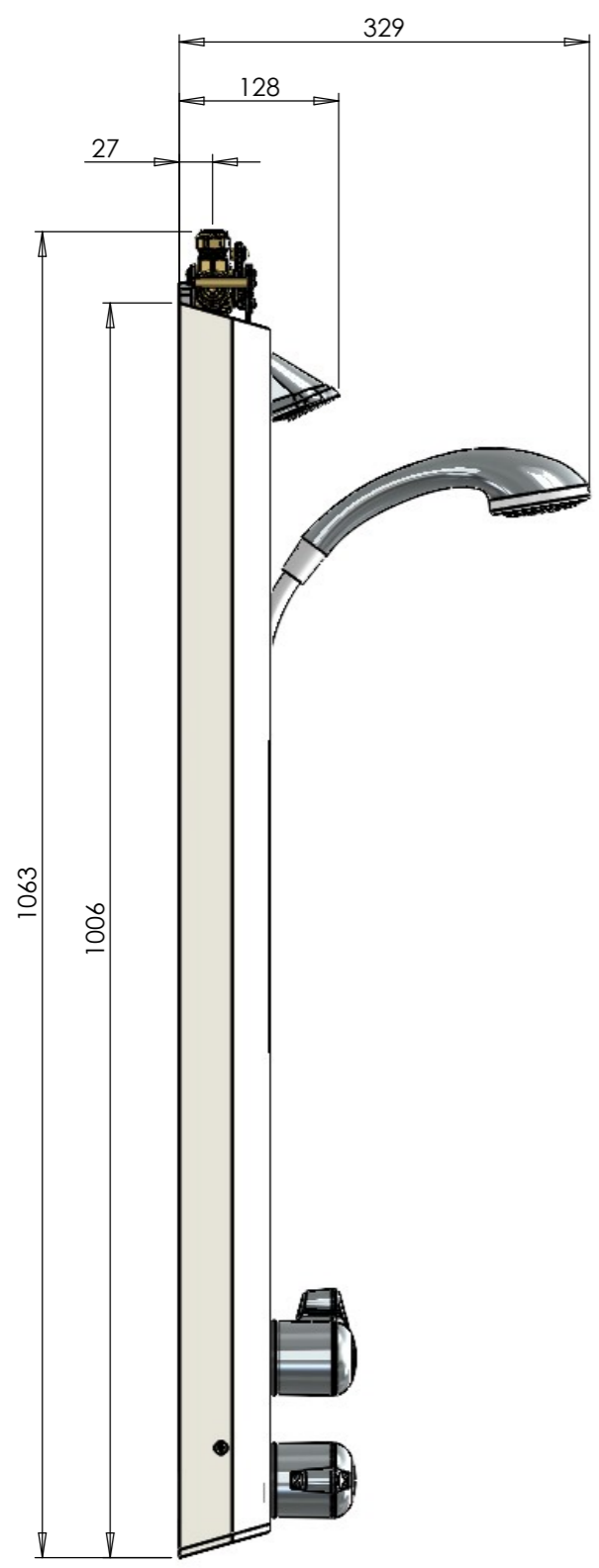


8 7 6 5 4 3 2 1

F
E
D
C
B
A



NOTE:
FOR MOUNTING HEIGHTS, PLEASE
REFER TO DRAWING ASP_ACCESSIBILITY-L

<p>ALL DIMENSIONS IN mm. DIMENSIONS ARE APPROXIMATE AND PROVIDED FOR INFORMATION PURPOSES ONLY. DO NOT SCALE.</p>	Description:	T705T42L	<p>HORNE Horne Engineering Ltd. Ripstone St, Johnstone, Scotland, PA5 8BD. +44 01505 321455 www.horne.co.uk technical@horne.co.uk</p> <p>Copyright 2024, Horne Engineering Ltd. All reproduction prohibited unless authorised in writing. This drawing contains confidential and proprietary information of Horne Engineering Ltd. and unauthorised disclosure is strictly prohibited.</p>
	Product:	Shower Panel	
	Drawing Number:	T705T42L-C	
	Drawn By:	CE	
	Drawn Date:	28/10/24	

8 7 6 5 4 3 2 1