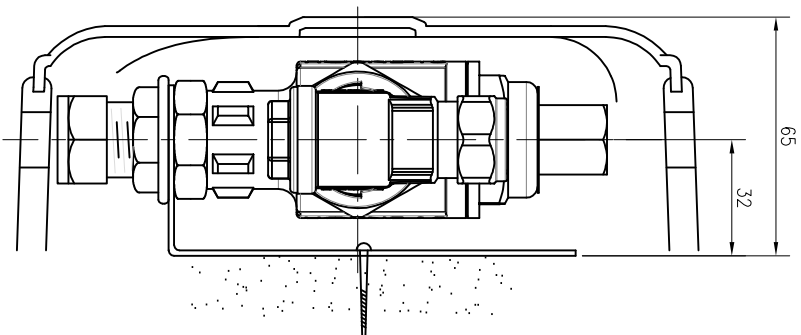
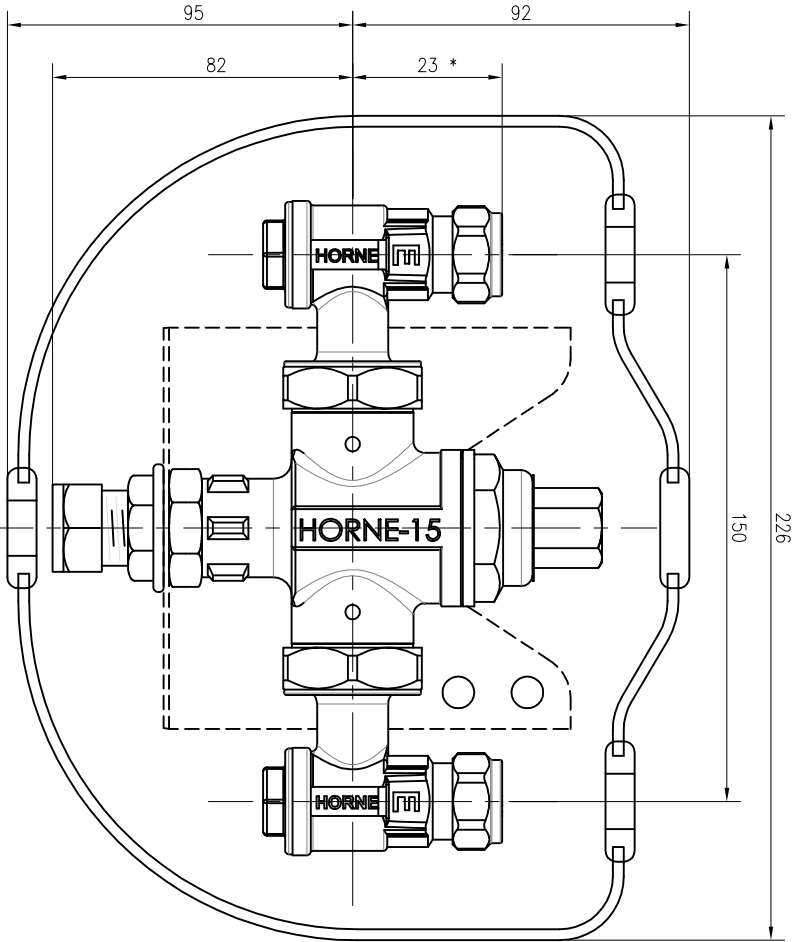
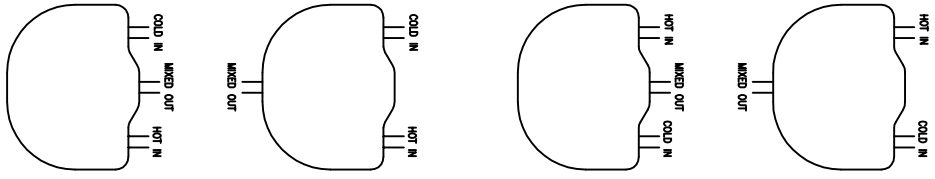


INLET/OUTLET OPTIONS - CAN BE MOUNTED IN ANY ORIENTATION



COPYRIGHT 2019, HORNE ENGINEERING LTD. ALL REPRODUCTION PROHIBITED UNLESS AUTHORISED IN WRITING		HORNE ENGINEERING LTD.	
PART : GENERAL ARRANGEMENT		JOHNSTONE	
PRODUCT : HI5-13B/C		RENFREMSHIRE	
SCALE	DO NOT SCALE	DR'G. No. PA579/D	
DRAWN	MJ 28.6.04		
CHECKED	SR 20.5.19		
ISSUE	2		