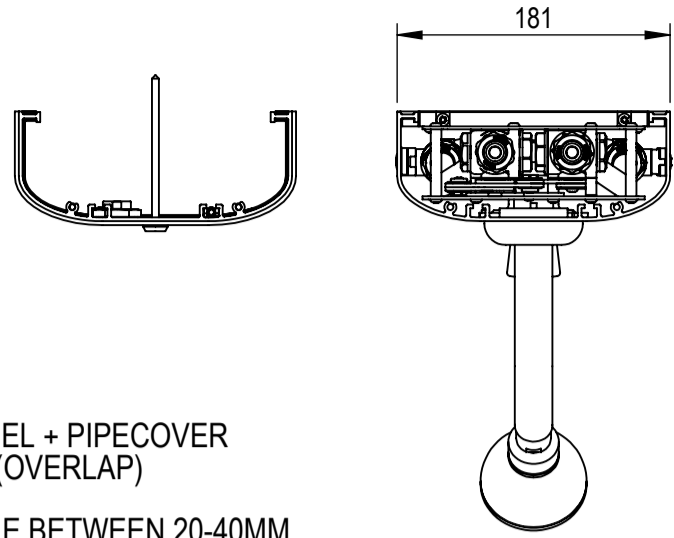
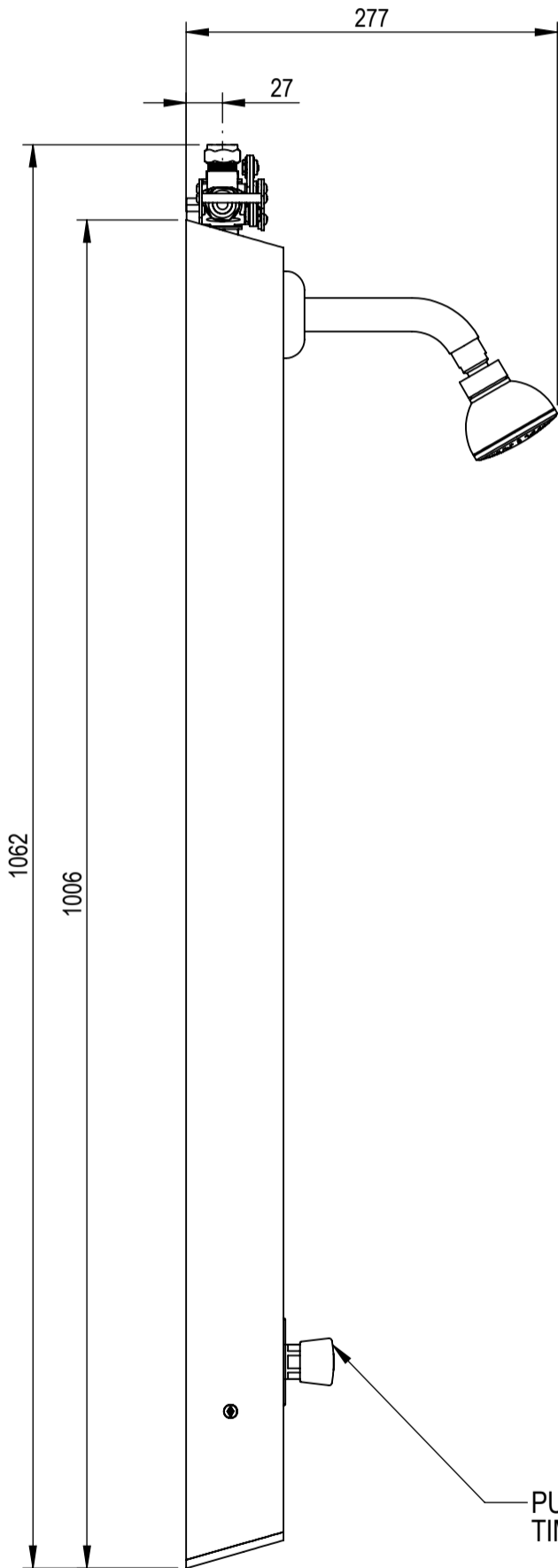


ALL DIMENSIONS ARE APPROXIMATE

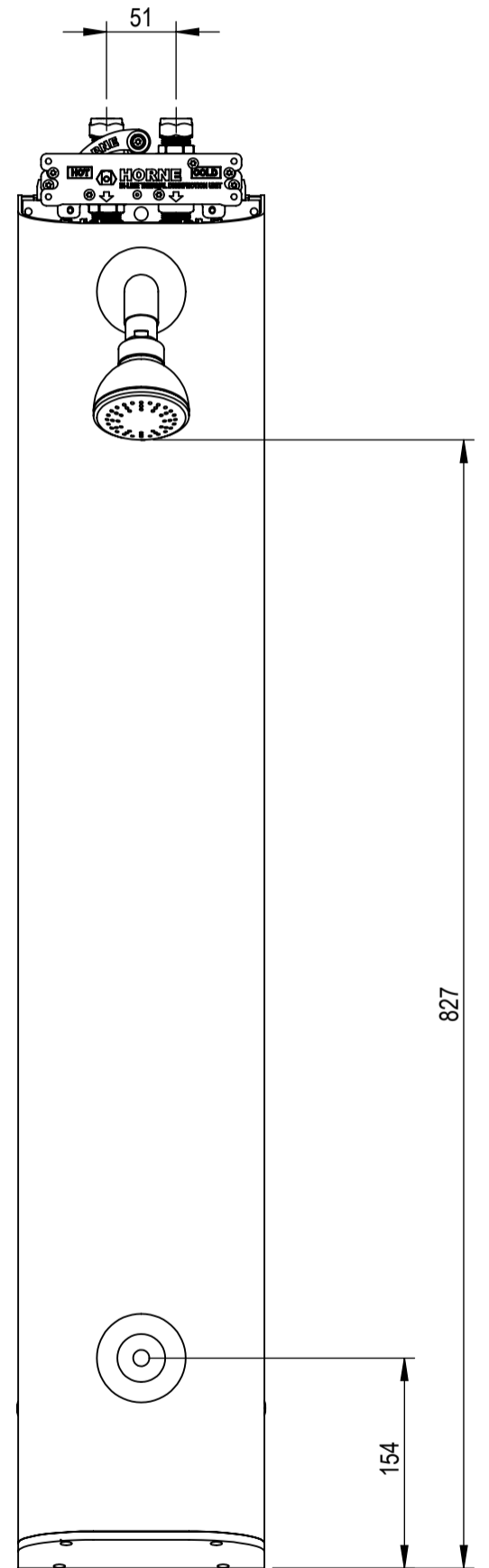
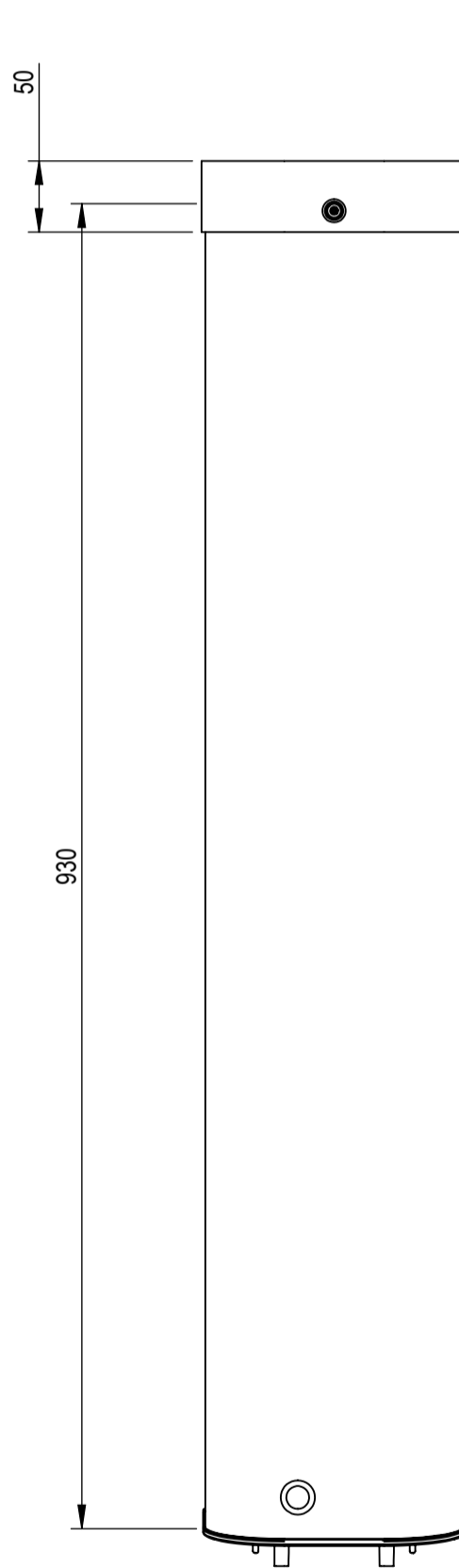


TOTAL HEIGHT OF PANEL + PIPECOVER
 = 1006 + 2 + 930 + 50 - (OVERLAP)

- OVERLAP IS VARIABLE BETWEEN 20-40MM
- 930 LENGTH CAN BE CUT TO SUIT



PUSH-BUTTON
 TIMED FLOW CONTROL



COPYRIGHT 2014, HORNE ENGINEERING LTD. ALL REPRODUCTION
 PROHIBITED UNLESS AUTHORISED IN WRITING.
 THIS DRAWING CONTAINS CONFIDENTIAL AND
 PROPRIETARY INFORMATION OF HORNE ENGINEERING LIMITED
 AND UNAUTHORISED DISCLOSURE IS STRICTLY PROHIBITED.

DRN
 BY MJ (22/01/2016)
 CHK'D
 BY

MODEL
 REV. A-01
 DRG
 REV. B-01

HORNE ENGINEERING LTD.
 JOHNSTONE
 RENFREWSHIRE
 PA5 8BD

SHEET 1 OF 1

DO NOT
 SCALE

CONFIG OF: 6270

A3

PRODUCT: T306T9

DRG No. 11375