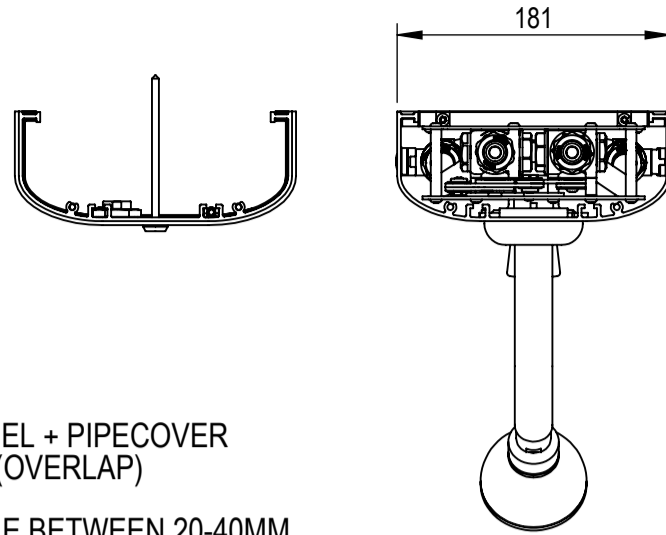
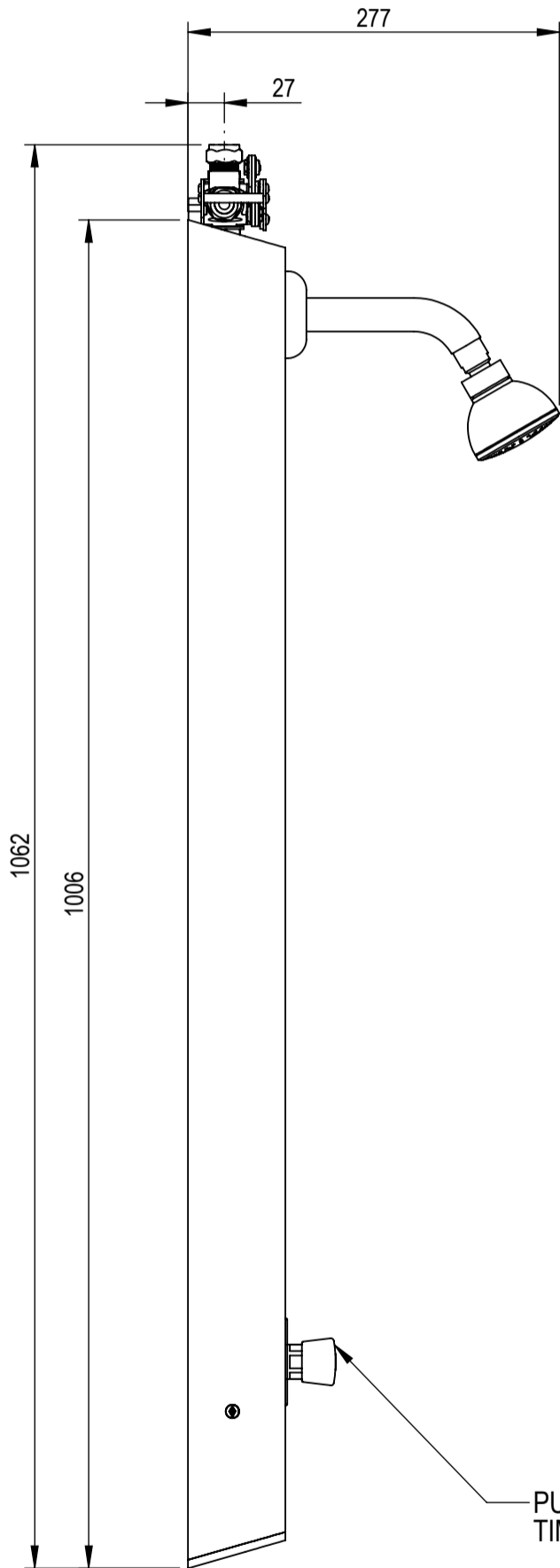


ALL DIMENSIONS ARE APPROXIMATE

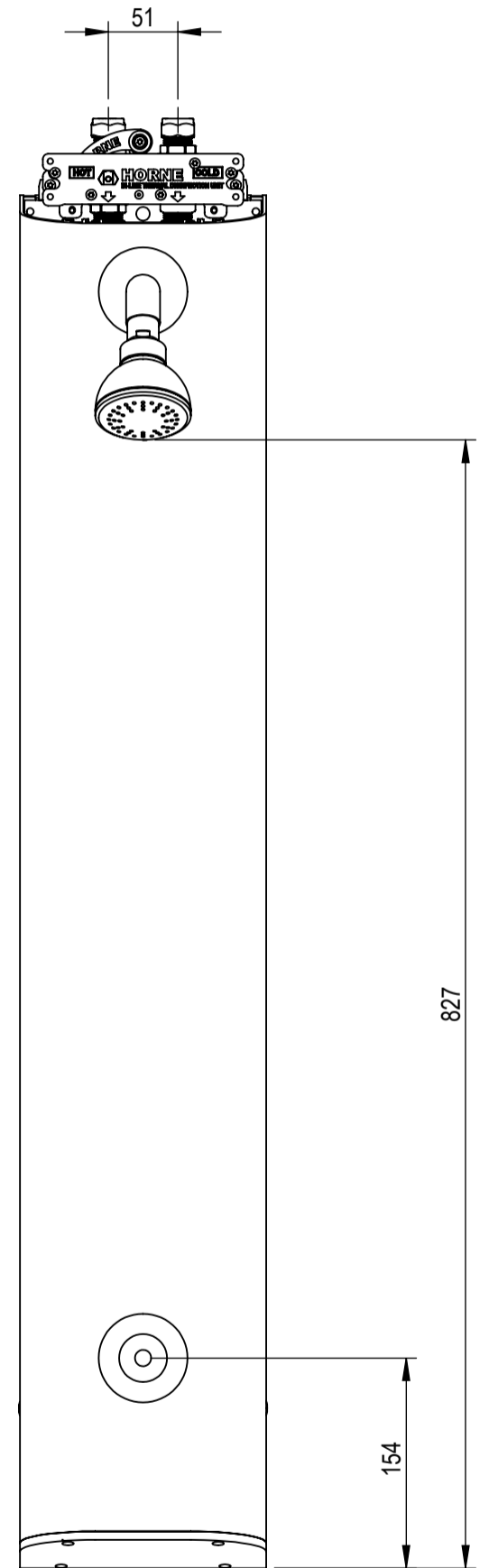
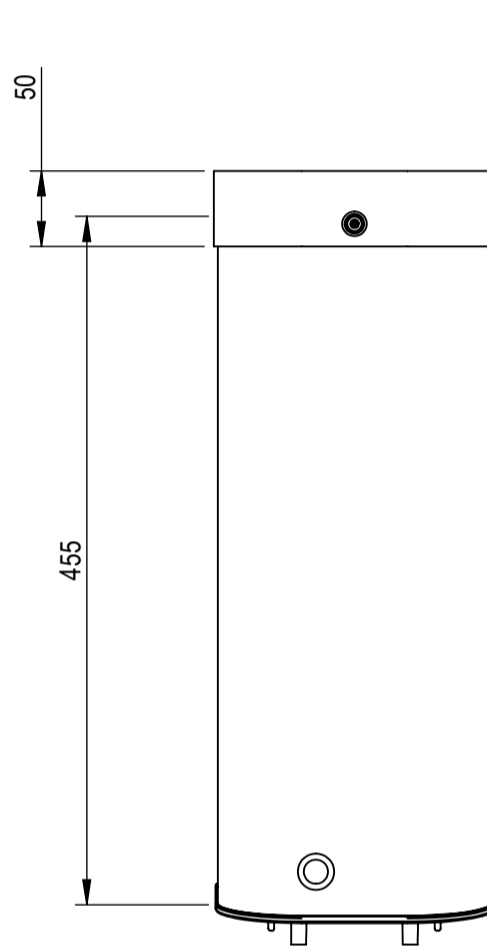


TOTAL HEIGHT OF PANEL + PIPECOVER
 = 1006 + 2 + 455 + 50 - (OVERLAP)

- OVERLAP IS VARIABLE BETWEEN 20-40MM
- 455 LENGTH CAN BE CUT TO SUIT



PUSH-BUTTON
 TIMED FLOW CONTROL



COPYRIGHT 2014, HORNE ENGINEERING LTD. ALL REPRODUCTION
 PROHIBITED UNLESS AUTHORISED IN WRITING.
 THIS DRAWING CONTAINS CONFIDENTIAL AND
 PROPRIETARY INFORMATION OF HORNE ENGINEERING LIMITED
 AND UNAUTHORISED DISCLOSURE IS STRICTLY PROHIBITED.

| | |
|-------------|-----------------|
| DRN BY | MJ (22/01/2016) |
| CHK'D BY | |

| | |
|---------------|------|
| MODEL REV. | A-01 |
| DRG REV. | B-01 |

| | | | | |
|--|--|---------------|-----------------|----|
| HORNE ENGINEERING LTD. JOHNSTONE RENFREWSHIRE PA5 8BD | | | DO NOT SCALE | A3 |
| SHEET 1 OF 1 | | DRG No. 11374 | | |

PRODUCT: T306T4

CONFIG OF: 6270