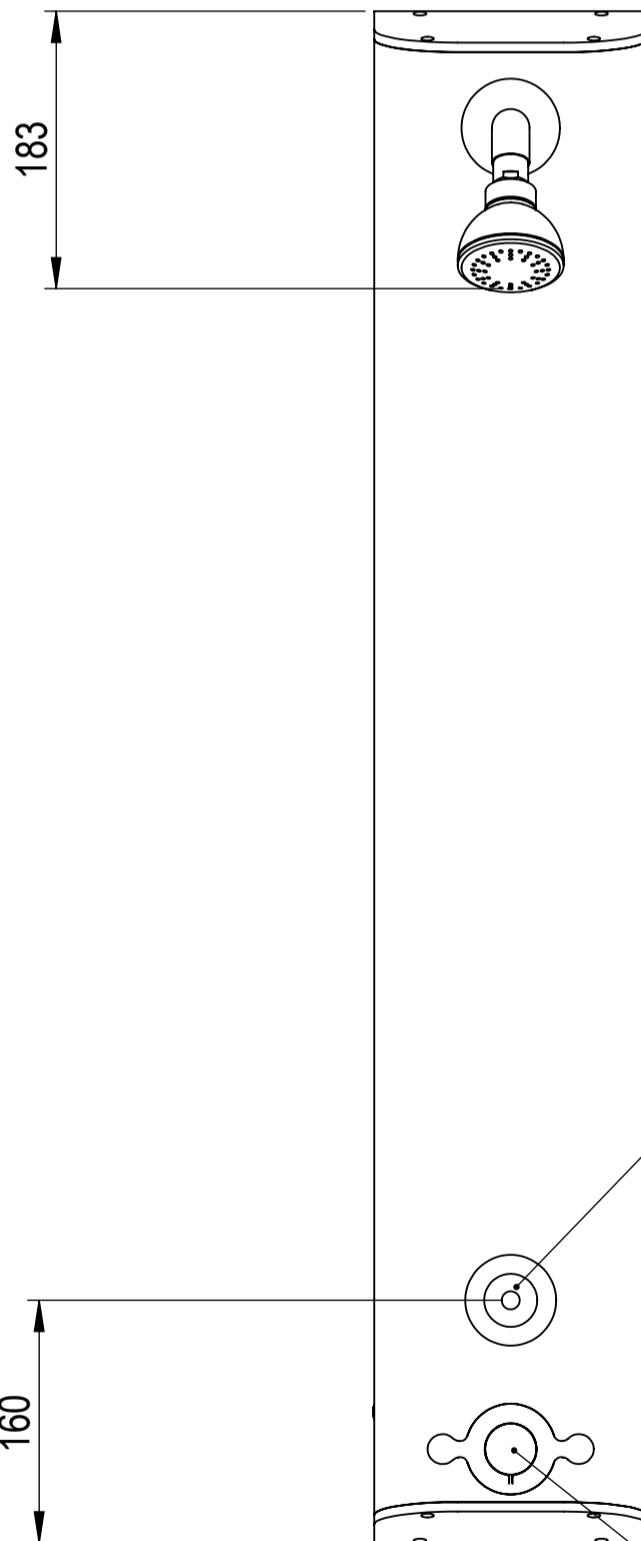
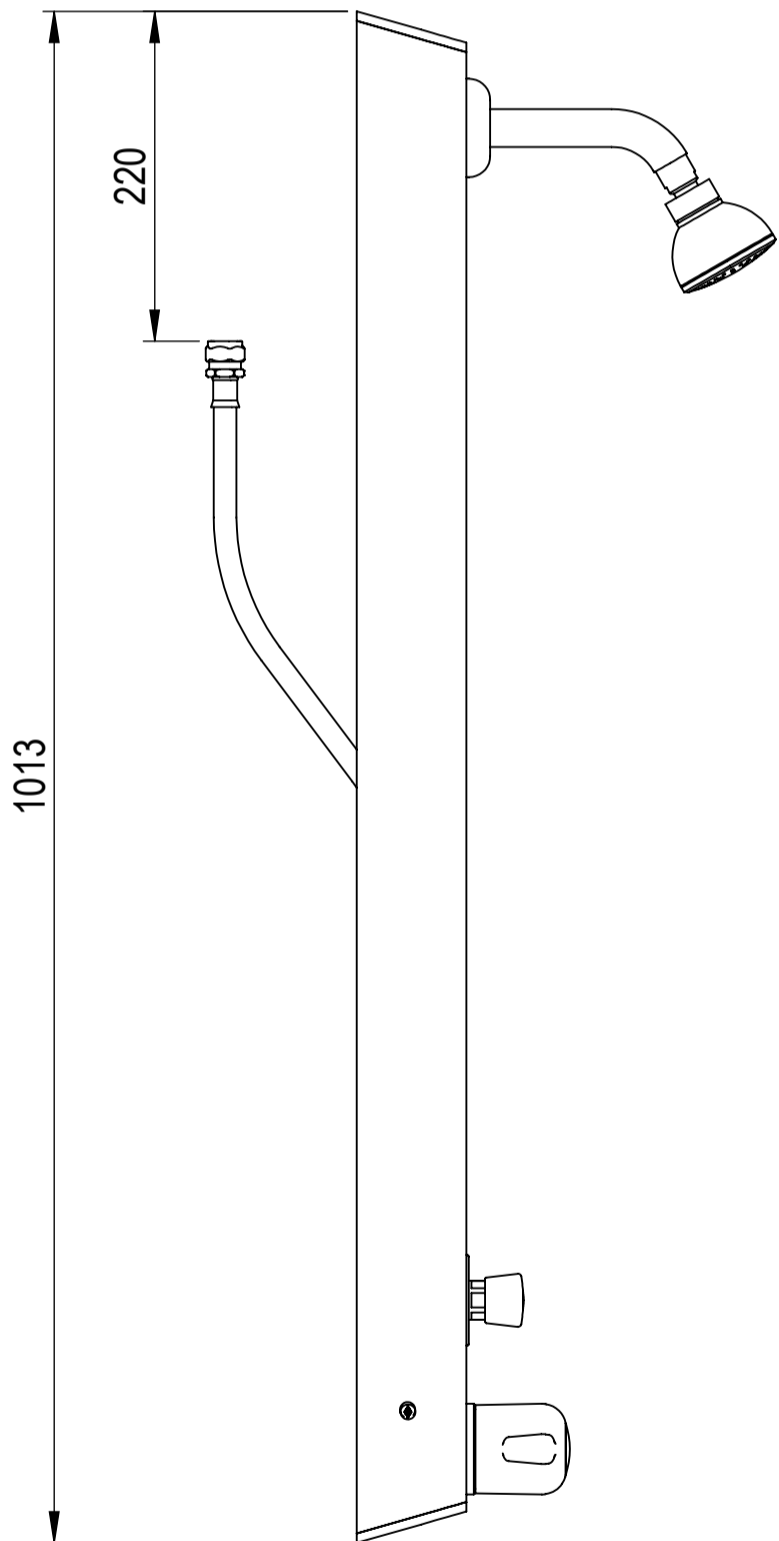
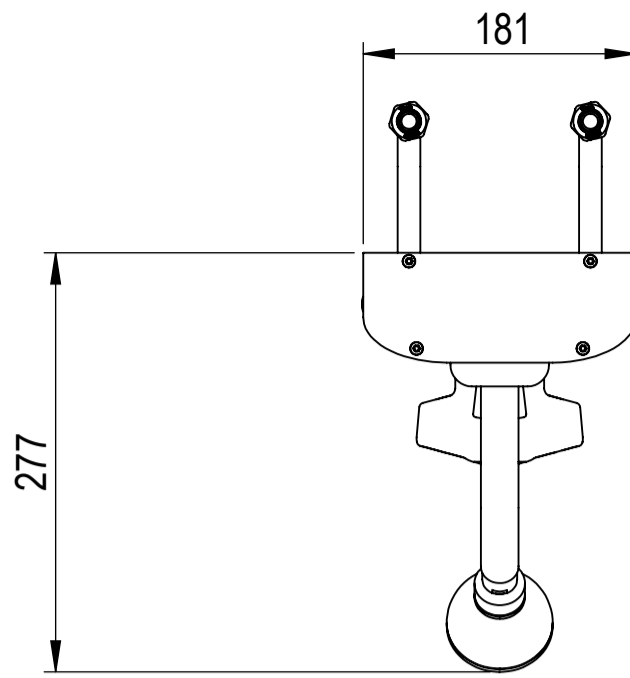


ALL DIMENSIONS ARE APPROXIMATE



TIMED FLOW CONTROL

TEMPERATURE CONTROL

COPYRIGHT 2016, HORNE ENGINEERING LTD. ALL REPRODUCTION PROHIBITED UNLESS AUTHORISED IN WRITING. THIS DRAWING CONTAINS CONFIDENTIAL AND PROPRIETARY INFORMATION OF HORNE ENGINEERING LIMITED AND UNAUTHORISED DISCLOSURE IS STRICTLY PROHIBITED.

DRN BY	CE (14/10/22)
CHK'D BY	

MODEL REV.	A-06.
DRG REV.	B-02.

HORNE ENGINEERING LTD. JOHNSTONE RENFREWSHIRE PA5 8BD			CONFIG OF: 6250
SHEET 1 OF 1	DO NOT SCALE	A3	
DR'G No. 11335			

PRODUCT: T206B1L