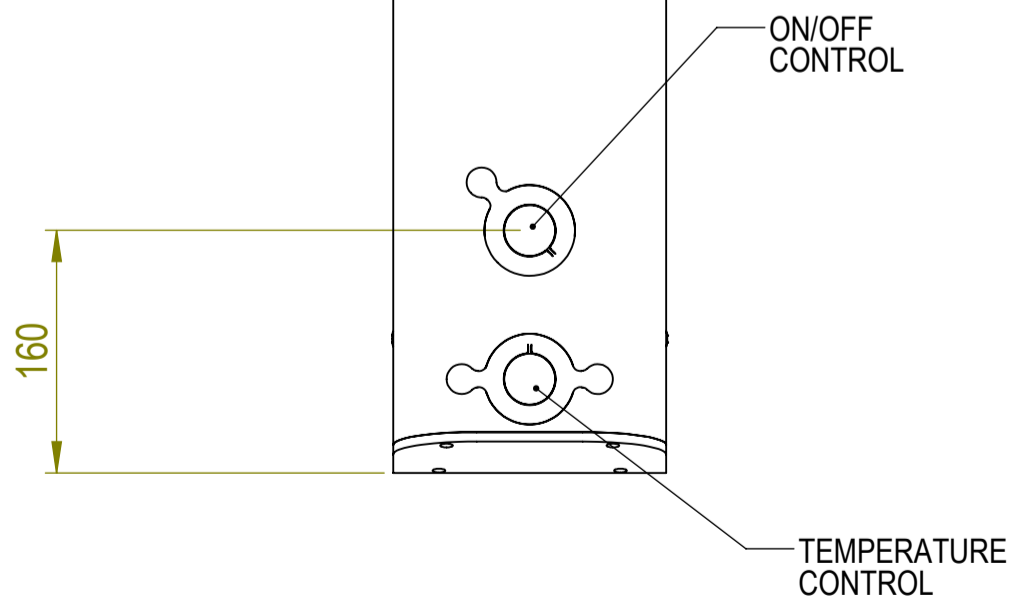
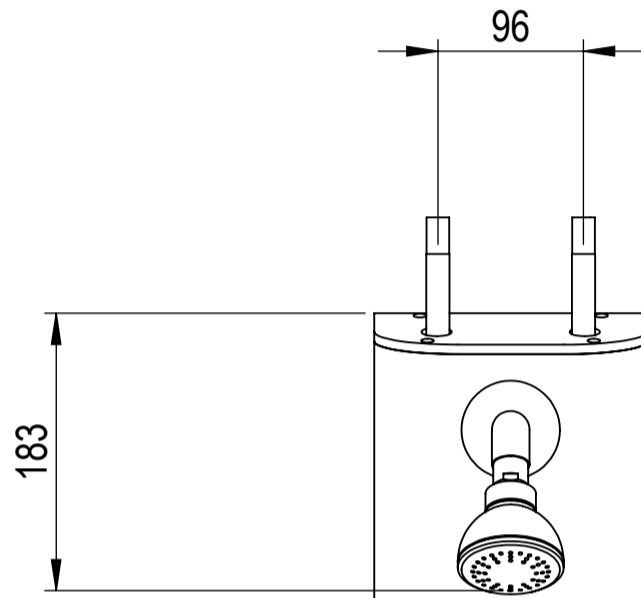
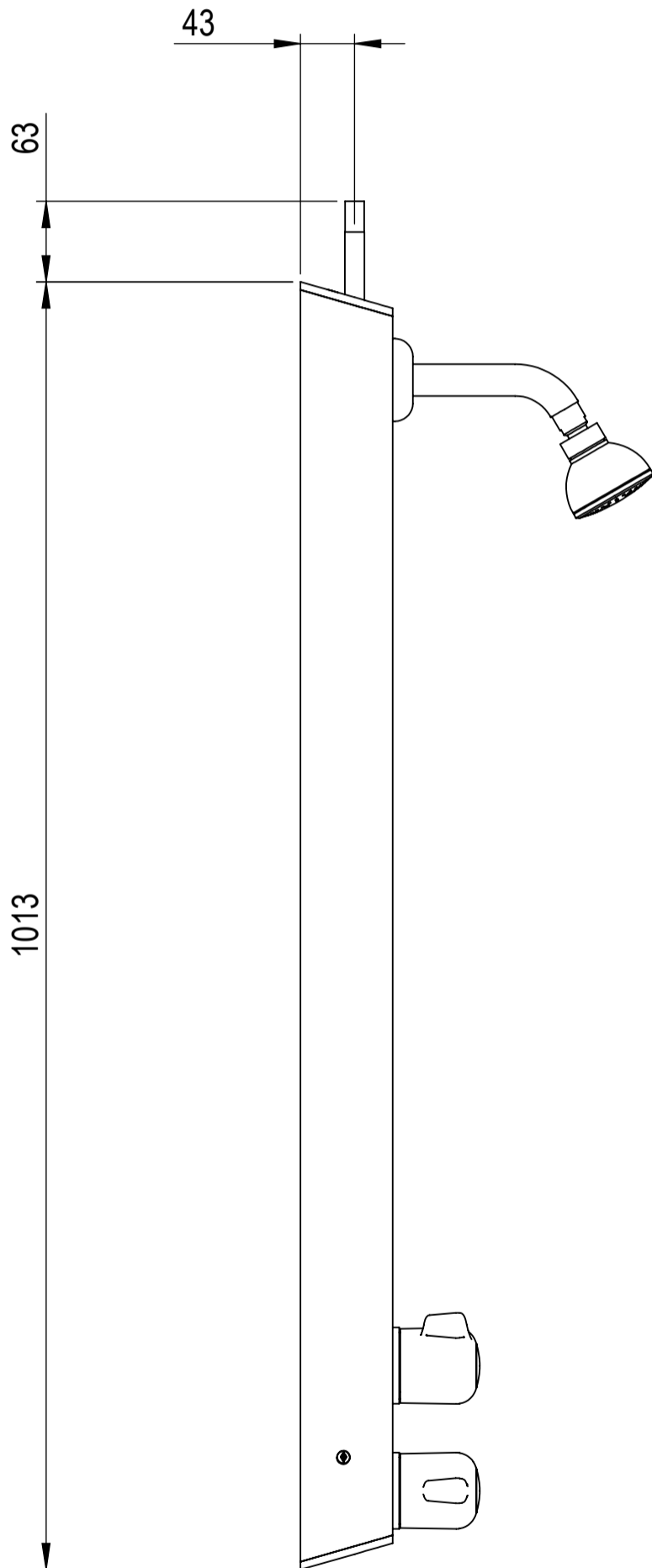
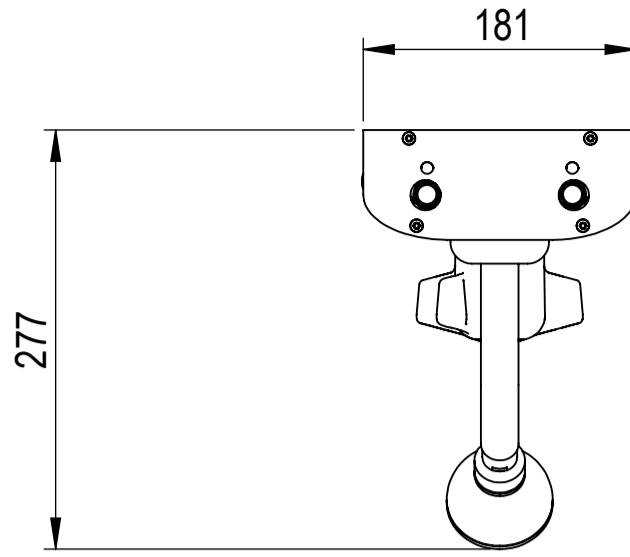


ALL DIMENSIONS ARE APPROXIMATE



COPYRIGHT 2016, HORNE ENGINEERING LTD. ALL REPRODUCTION PROHIBITED UNLESS AUTHORISED IN WRITING. THIS DRAWING CONTAINS CONFIDENTIAL AND PROPRIETARY INFORMATION OF HORNE ENGINEERING LIMITED AND UNAUTHORISED DISCLOSURE IS STRICTLY PROHIBITED.

DRN BY: CE (14/10/22)
CHK'D BY:

MODEL REV. A-06.
DRG REV. B-02.

HORNE ENGINEERING LTD.
JOHNSTONE
RENFREWSHIRE
PA5 8BD

SHEET 1 OF 1

DO NOT SCALE

A3

PRODUCT: T106A2L

DR'G No. 10372

CONFIG OF: 6250