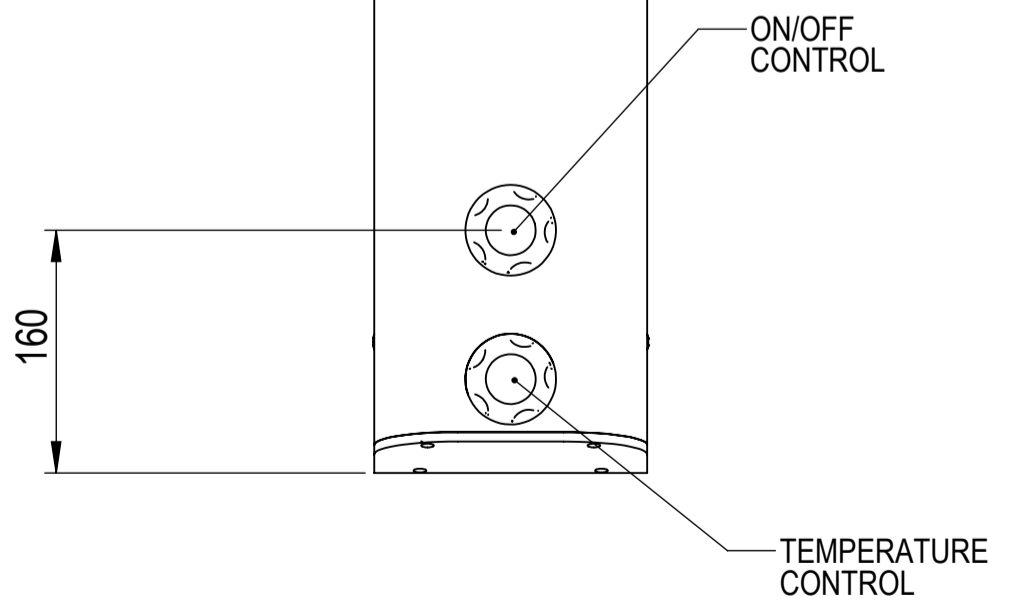
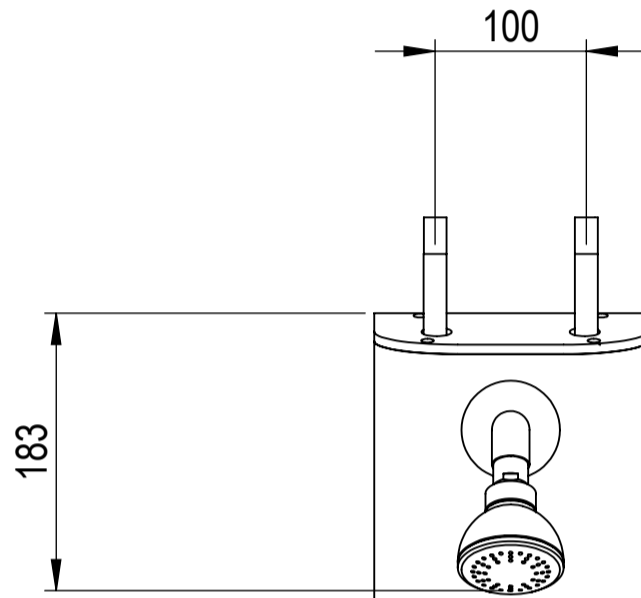
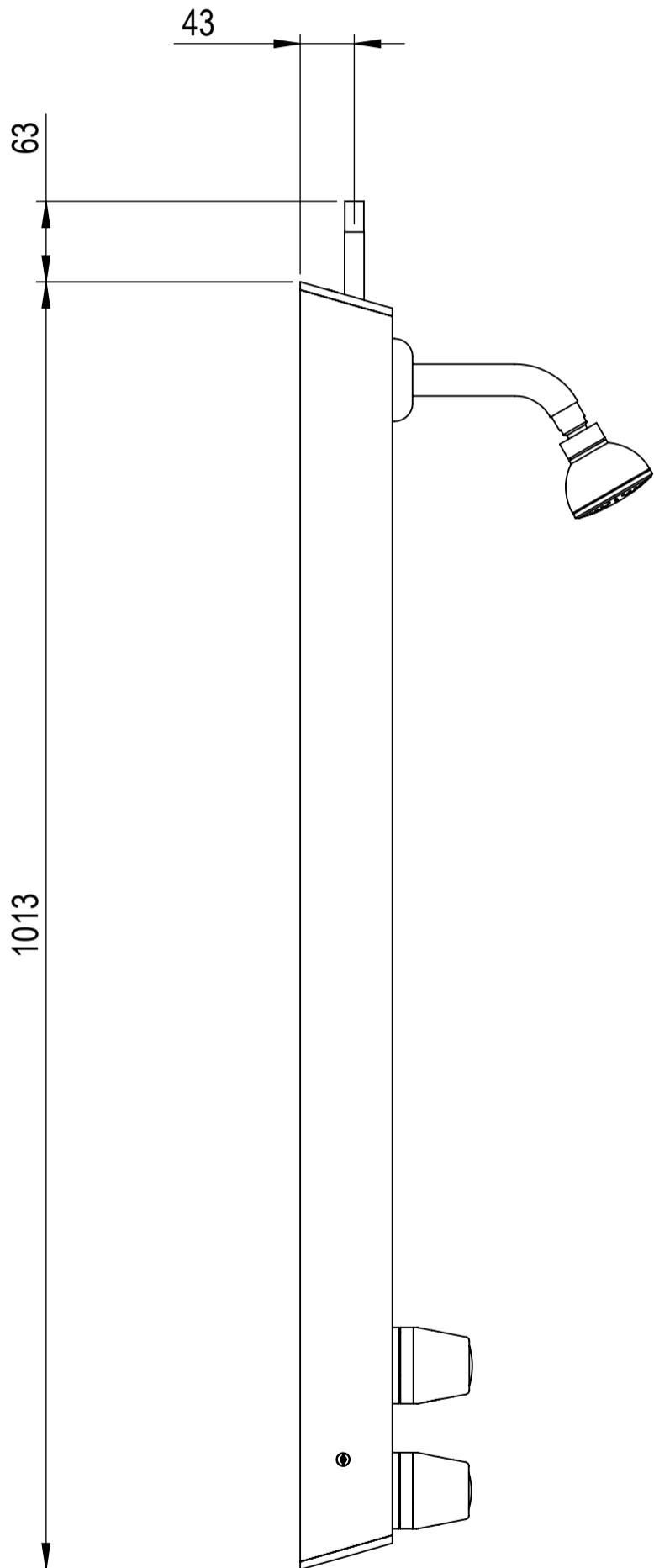
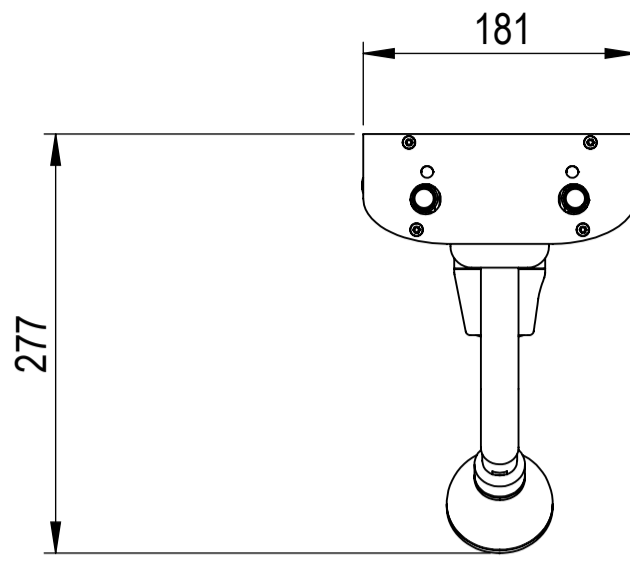


ALL DIMENSIONS ARE APPROXIMATE



COPYRIGHT 2016, HORNE ENGINEERING LTD. ALL REPRODUCTION PROHIBITED UNLESS AUTHORISED IN WRITING.
 THIS DRAWING CONTAINS CONFIDENTIAL AND PROPRIETARY INFORMATION OF HORNE ENGINEERING LIMITED AND UNAUTHORISED DISCLOSURE IS STRICTLY PROHIBITED.

DRN BY MJ (07/01/2016)
 CHK'D BY

MODEL REV. A-01
 DRG REV. B-01

HORNE ENGINEERING LTD.
 JOHNSTONE
 RENFREWSHIRE
 PA5 8BD
 SHEET 1 OF 1
 DR'G No. 10339
 DO NOT SCALE
 A3
 CONFIG OF: 6250

PRODUCT: T106A