

23-4263 THERMOSTATIC KNOB CAP

20-5767 THERMO KNOB LOCKNUT

60-6675 TEMPERATURE CONTROL KNOB

23-5672-B SPACER CLAMP RING (THERMO SIDE)

71-5888 TSV1-3 COVER ASSEMBLY
- INCLUDES THERMO KNOB LOCKNUT

42-5048 ADJUSTING PISTON SEAL*

42-2834 COVER SEAL*

4579 H1503 ELEMENT SUB-ASSEMBLY**

71-4190 H15 SLIDEVALVE ASSEMBLY

42-3849 SLIDE VALVE SEAL*

40-4662 TSV1 RETURN SPRING

20-4661 TSV1 BAFFLE TUBE

21-6424 STRAINER CAP H15 (E-TYPE)

42-3765 STRAINER CAP SEAL*

43-5019 H15 / TSV1 'D' STRAINER BASKET

42-3451 COUPLING SEAL*

43-5663 DRIVE COUPLING ASSEMBLY

5671 TSV1-3 INLET ASSEMBLY

23-4264 ON-OFF KNOB CAP

41-5891 OBTURATOR SCREW

41-5892 OBTURATOR WASHER

AVAILABLE AS
ASSEMBLY PT NO.
71-6624

60-6676 ON/OFF CONTROL KNOB

23-5672-A SPACER CLAMP RING (ON-OFF SIDE)

44-5406 LEFT TURN CERAMIC

5765 TSV1-3 ASSEMBLED BODY

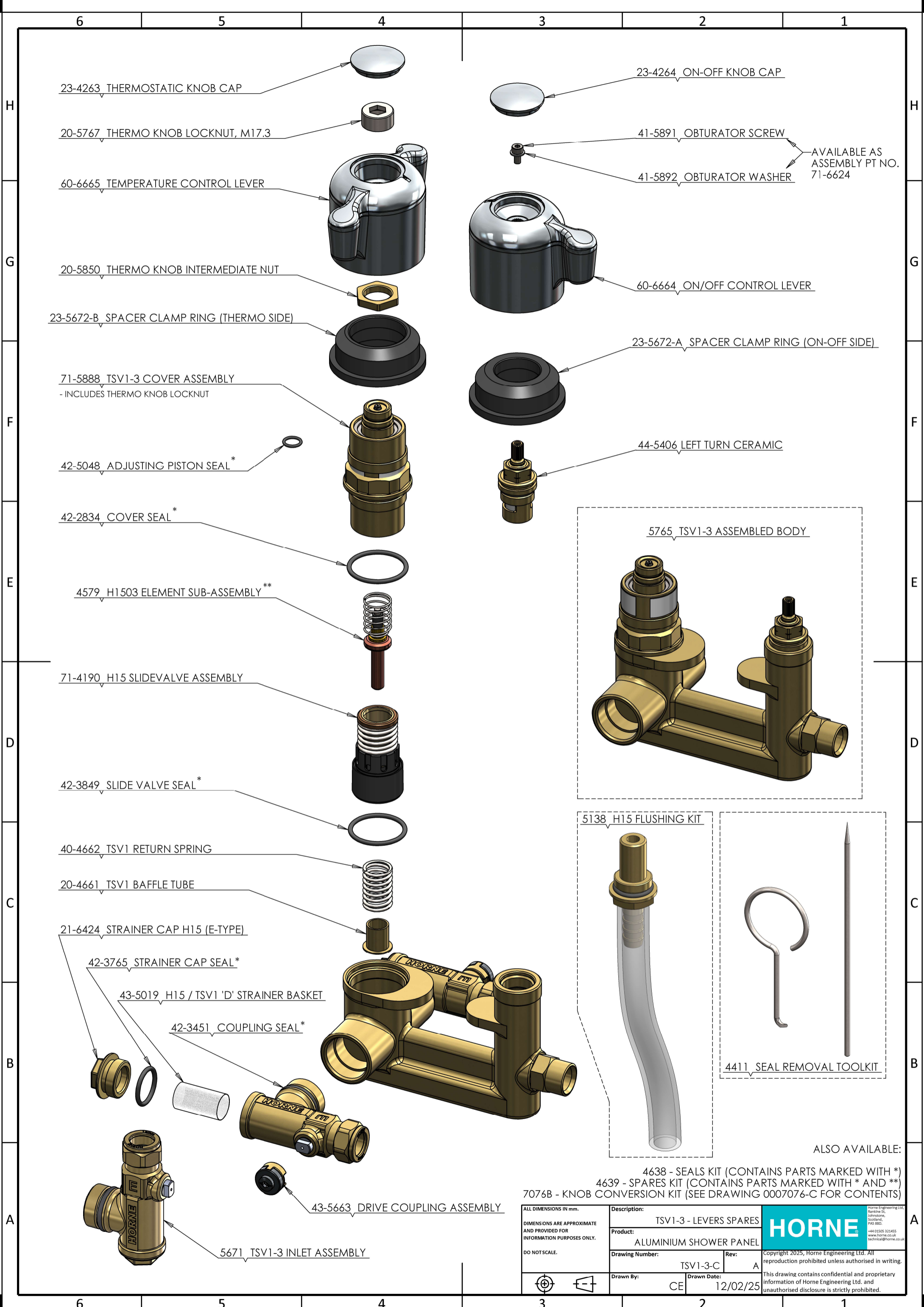
5138 H15 FLUSHING KIT

4411 SEAL REMOVAL TOOLKIT

ALSO AVAILABLE:

4638 - SEALS KIT (CONTAINS PARTS MARKED WITH *)
4639 - SPARES KIT (CONTAINS PARTS MARKED WITH * AND **)
7076A - LEVER CONVERSION KIT (SEE DRAWING 0007076-C FOR CONTENTS)

ALL DIMENSIONS IN mm. DIMENSIONS ARE APPROXIMATE AND PROVIDED FOR INFORMATION PURPOSES ONLY. DO NOT SCALE.	Description:		
	Product:		
	Drawing Number:	Rev:	
	Drawn By:	Drawn Date:	
	TSV1-3-C	C	Copyright 2025, Horne Engineering Ltd. All reproduction prohibited unless authorised in writing. This drawing contains confidential and proprietary information of Horne Engineering Ltd. and unauthorised disclosure is strictly prohibited.
	CE	12/02/25	



23-4263 THERMOSTATIC KNOB CAP

20-5767 THERMO KNOB LOCKNUT, M17.3

60-6665 TEMPERATURE CONTROL LEVER

20-5850 THERMO KNOB INTERMEDIATE NUT

23-5672-B SPACER CLAMP RING (THERMO SIDE)

71-5888 TSV1-3 COVER ASSEMBLY
- INCLUDES THERMO KNOB LOCKNUT

42-5048 ADJUSTING PISTON SEAL *

42-2834 COVER SEAL *

4579 H1503 ELEMENT SUB-ASSEMBLY **

71-4190 H15 SLIDEVALVE ASSEMBLY

42-3849 SLIDE VALVE SEAL *

40-4662 TSV1 RETURN SPRING

20-4661 TSV1 BAFFLE TUBE

21-6424 STRAINER CAP H15 (E-TYPE)

42-3765 STRAINER CAP SEAL *

43-5019 H15 / TSV1 'D' STRAINER BASKET

42-3451 COUPLING SEAL *

43-5663 DRIVE COUPLING ASSEMBLY

5671 TSV1-3 INLET ASSEMBLY

23-4264 ON-OFF KNOB CAP

41-5891 OBTURATOR SCREW

41-5892 OBTURATOR WASHER

AVAILABLE AS
ASSEMBLY PT NO.
71-6624

60-6664 ON/OFF CONTROL LEVER

23-5672-A SPACER CLAMP RING (ON-OFF SIDE)

44-5406 LEFT TURN CERAMIC


5765 TSV1-3 ASSEMBLED BODY

5138 H15 FLUSHING KIT

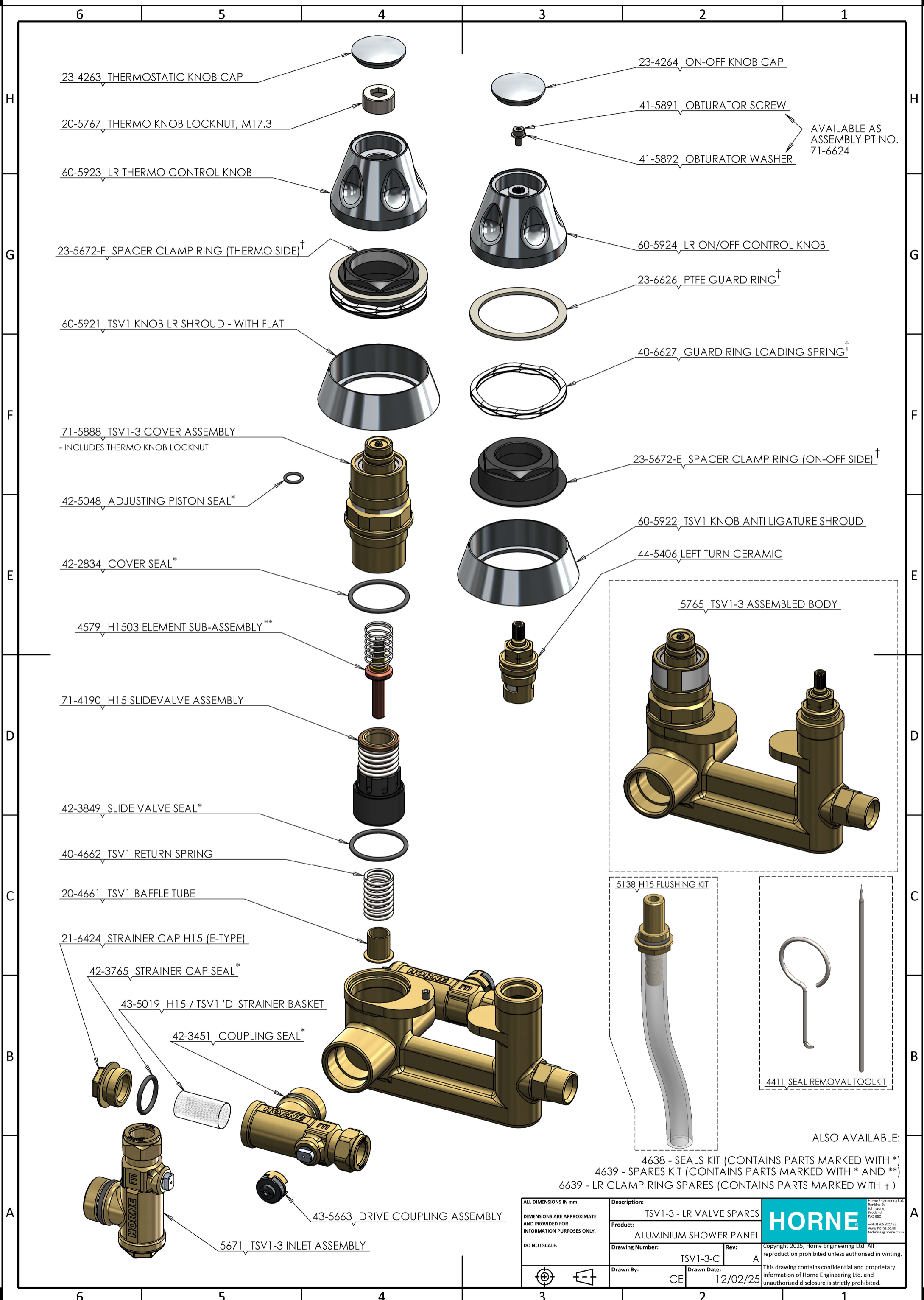
4411 SEAL REMOVAL TOOLKIT

ALSO AVAILABLE:

4638 - SEALS KIT (CONTAINS PARTS MARKED WITH *)
4639 - SPARES KIT (CONTAINS PARTS MARKED WITH * AND **)
7076B - KNOB CONVERSION KIT (SEE DRAWING 0007076-C FOR CONTENTS)

ALL DIMENSIONS IN mm. DIMENSIONS ARE APPROXIMATE AND PROVIDED FOR INFORMATION PURPOSES ONLY. DO NOT SCALE.	Description: TSV1-3 - LEVERS SPARES		 Horne Engineering Ltd. Rankine St, Johnstone, Scotland, PA5 8BD, +44 01505 321455 www.horne.co.uk technical@horne.co.uk
	Product: ALUMINIUM SHOWER PANEL		
	Drawing Number: TSV1-3-C	Rev: A	
	Drawn By: CE	Drawn Date: 12/02/25	

Copyright 2025, Horne Engineering Ltd. All reproduction prohibited unless authorised in writing. This drawing contains confidential and proprietary information of Horne Engineering Ltd. and unauthorised disclosure is strictly prohibited.



23-4263 THERMOSTATIC KNOB CAP

20-5767 THERMO KNOB LOCKNUT, M17.3

60-5923 LR THERMO CONTROL KNOB

23-5672-F SPACER CLAMP RING (THERMO SIDE)[†]

60-5921 TSV1 KNOB LR SHROUD - WITH FLAT

71-5888 TSV1-3 COVER ASSEMBLY
- INCLUDES THERMO KNOB LOCKNUT

42-5048 ADJUSTING PISTON SEAL*

42-2834 COVER SEAL*

4579 H1503 ELEMENT SUB-ASSEMBLY**

71-4190 H15 SLIDEVALVE ASSEMBLY

42-3849 SLIDE VALVE SEAL*

40-4662 TSV1 RETURN SPRING

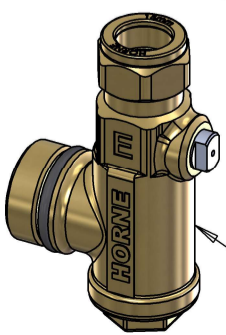
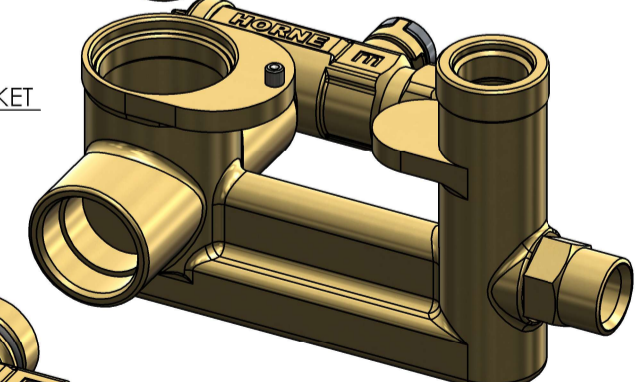
20-4661 TSV1 BAFFLE TUBE

21-6424 STRAINER CAP H15 (E-TYPE)

42-3765 STRAINER CAP SEAL*

43-5019 H15 / TSV1 'D' STRAINER BASKET

42-3451 COUPLING SEAL*



5671 TSV1-3 INLET ASSEMBLY

43-5663 DRIVE COUPLING ASSEMBLY

23-4264 ON-OFF KNOB CAP

41-5891 OBTURATOR SCREW

41-5892 OBTURATOR WASHER

AVAILABLE AS
ASSEMBLY PT NO.
71-6624

60-5924 LR ON/OFF CONTROL KNOB

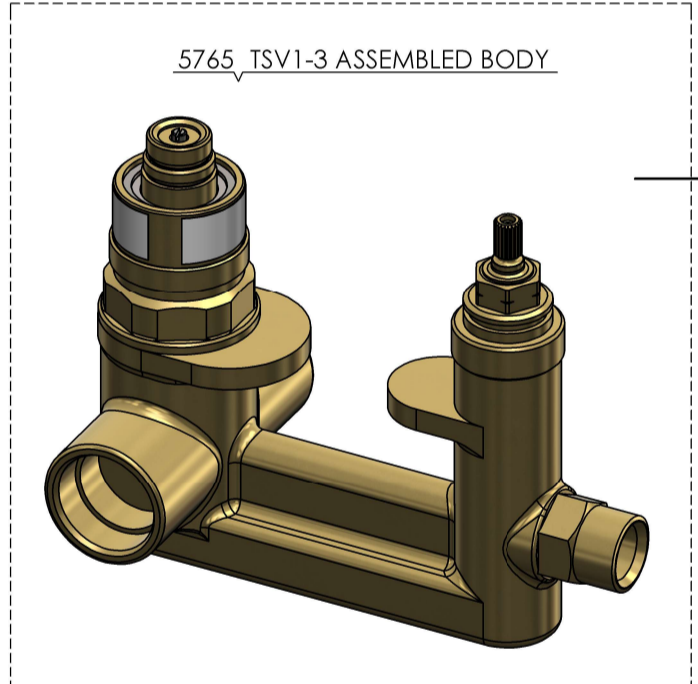
23-6626 PTFE GUARD RING[†]

40-6627 GUARD RING LOADING SPRING[†]

23-5672-E SPACER CLAMP RING (ON-OFF SIDE)[†]

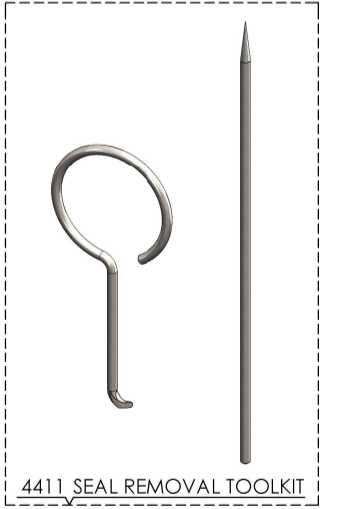
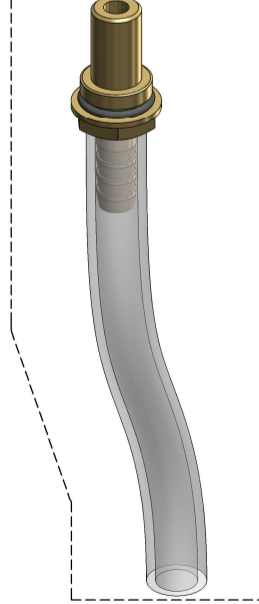
60-5922 TSV1 KNOB ANTI LIGATURE SHROUD

44-5406 LEFT TURN CERAMIC



5765 TSV1-3 ASSEMBLED BODY

5138 H15 FLUSHING KIT

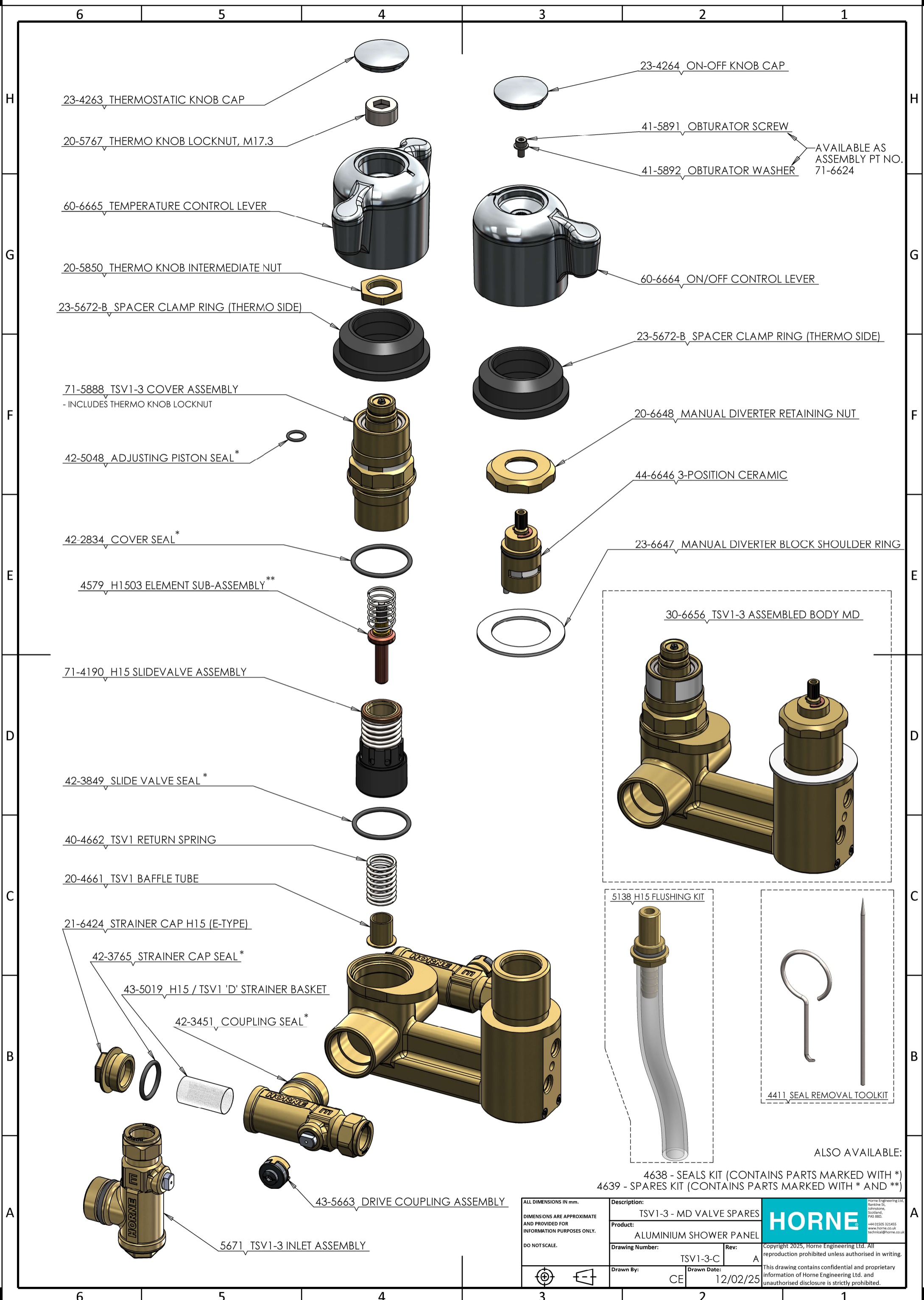


4411 SEAL REMOVAL TOOLKIT

ALSO AVAILABLE:

- 4638 - SEALS KIT (CONTAINS PARTS MARKED WITH *)
- 4639 - SPARES KIT (CONTAINS PARTS MARKED WITH * AND **)
- 6639 - LR CLAMP RING SPARES (CONTAINS PARTS MARKED WITH †)

ALL DIMENSIONS IN mm. DIMENSIONS ARE APPROXIMATE AND PROVIDED FOR INFORMATION PURPOSES ONLY. DO NOT SCALE.	Description:		
	Product:		
	Drawing Number:	Rev:	
	Drawn By:	Drawn Date:	
		Copyright 2025, Horne Engineering Ltd. All reproduction prohibited unless authorised in writing. This drawing contains confidential and proprietary information of Horne Engineering Ltd. and unauthorised disclosure is strictly prohibited.	
		TSV1-3 - LR VALVE SPARES ALUMINIUM SHOWER PANEL TSV1-3-C A CE 12/02/25	



23-4263 THERMOSTATIC KNOB CAP

20-5767 THERMO KNOB LOCKNUT, M17.3

60-6665 TEMPERATURE CONTROL LEVER

20-5850 THERMO KNOB INTERMEDIATE NUT

23-5672-B SPACER CLAMP RING (THERMO SIDE)

71-5888 TSV1-3 COVER ASSEMBLY
- INCLUDES THERMO KNOB LOCKNUT

42-5048 ADJUSTING PISTON SEAL*

42-2834 COVER SEAL*

4579 H1503 ELEMENT SUB-ASSEMBLY**

71-4190 H15 SLIDEVALVE ASSEMBLY

42-3849 SLIDE VALVE SEAL*

40-4662 TSV1 RETURN SPRING

20-4661 TSV1 BAFFLE TUBE

21-6424 STRAINER CAP H15 (E-TYPE)

42-3765 STRAINER CAP SEAL*

43-5019 H15 / TSV1 'D' STRAINER BASKET

42-3451 COUPLING SEAL*

43-5663 DRIVE COUPLING ASSEMBLY

5671 TSV1-3 INLET ASSEMBLY

23-4264 ON-OFF KNOB CAP

41-5891 OBTURATOR SCREW

41-5892 OBTURATOR WASHER

AVAILABLE AS
ASSEMBLY PT NO.
71-6624

60-6664 ON/OFF CONTROL LEVER

23-5672-B SPACER CLAMP RING (THERMO SIDE)

20-6648 MANUAL DIVERter RETAINING NUT

44-6646 3-POSITION CERAMIC

23-6647 MANUAL DIVERter BLOCK SHOULDER RING

30-6656 TSV1-3 ASSEMBLED BODY MD

5138 H15 FLUSHING KIT

4411 SEAL REMOVAL TOOLKIT

ALSO AVAILABLE:

4638 - SEALS KIT (CONTAINS PARTS MARKED WITH *)
4639 - SPARES KIT (CONTAINS PARTS MARKED WITH * AND **)

ALL DIMENSIONS IN mm. DIMENSIONS ARE APPROXIMATE AND PROVIDED FOR INFORMATION PURPOSES ONLY. DO NOT SCALE.	Description:		
	Product:		
	Drawing Number:	Rev:	
	Drawn By:	Drawn Date:	
	TSV1-3-C	A	Copyright 2025, Horne Engineering Ltd. All reproduction prohibited unless authorised in writing. This drawing contains confidential and proprietary information of Horne Engineering Ltd. and unauthorised disclosure is strictly prohibited.
	CE	12/02/25	